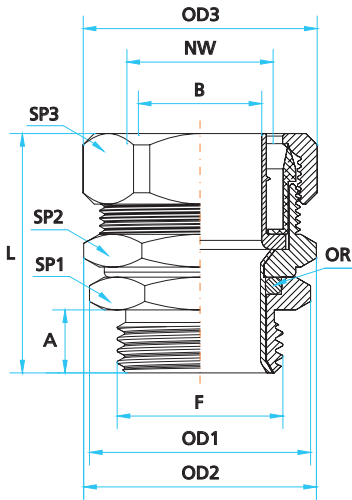


# CMMG



## Certificazioni Approvals

EN 61386 - 22  
CE  
RINA  
IMQ

EN 61386 - 22  
CE  
RINA  
IMQ

### CMMG - Filetto maschio girevole GAS e PG - Raccordo in ottone con continuità metallica

Codice GAS	F Filetto GAS	A mm	L mm	OD1 mm	OD2 mm	OD3 mm	SP1 mm	SP2 mm	SP3 mm	Codice PG	Certificazioni	F Filetto PG	A mm	L mm	OD1 mm	OD2 mm	OD3 mm	SP1 mm	SP2 mm	SP3 mm	Codice Guaina NW	Ø guaina int. est. mm	B Passaggio utile mm	Confez. standard
CMMGG09	1/4"	9	40	17	23	24,5	15	20	22	CMMGP09PG07	RI, R	7	9	40	17	23	24,5	15	20	22	9	8,5 - 13,0	7	20
CMMGG09A	3/8"	9	40	21,5	23	24,5	19	20	22	CMMGP09PG09	RI, R	9	7	37,5	19,5	23	24,5	17	20	22	9	8,5 - 13,0	7	20
CMMGG09B	1/2"	9	40	27,5	23	24,5	24	20	22	CMMGP09PG11	RI, R	11	7	36	23	23	24,5	20	20	22	9	8,5 - 13,0	7	20
										CMMGP09PG13	RI, R	13,5	7	36	25	25	24,5	22	22	22	9	8,5 - 13,0	7	20
CMMGG10	1/4"	9	40	17	25	26	15	22	24	CMMGP10PG07	RI, R	7	9	39,5	17	25	26	15	22	24	10	10,0 - 15,0	7	20
										CMMGP10PG09	RI, R	9	7	37,5	19,5	25	26	17	22	24	10	10,0 - 15,0	7	20
CMMGG10A	3/8"	9	40	21,5	25	26	19	22	24	CMMGP10PG11	RI, R	11	7	37,5	23	25	26	20	22	24	10	10,0 - 15,0	8,5	20
CMMGG10B	1/2"	9	40	27,5	25	26	24	22	24	CMMGP10PG13	RI, R	13,5	7	37	25	25	26	22	22	24	10	10,0 - 15,0	8,5	20
										CMMGP10PG16	RI, R	16	7	37	27,5	25	26	24	22	24	10	10,0 - 15,0	8,5	20
CMMGG12	3/8"	9	40	21,5	27,5	29	19	24	26	CMMGP12PG11	RI, R	11	7	37,5	23	27,5	29	20	24	26	12	12,0 - 17,0	10	20
CMMGG12A	1/2"	9	40	27,5	27,5	29	24	24	26	CMMGP12PG13	RI, R	13,5	7	37	25	27,5	29	22	24	26	12	12,0 - 17,0	10	20
										CMMGP12PG16	RI, R	16	7	37,5	27,5	27,5	29	24	24	26	12	12,0 - 17,0	10	20
CMMGG13	3/8"	9	40,5	21,5	30	30,5	19	26	28	CMMGP13PG11	RI, R	11	7	38	23	30	30,5	20	26	28	13	13,0 - 19,0	10	20
CMMGG13A	1/2"	9	40,5	27,5	30	30,5	24	26	28	CMMGP13PG13	RI, R	13,5	7	37,5	25	30	30,5	22	26	28	13	13,0 - 19,0	10	20
										CMMGP13PG16	RI, R	16	7	37,5	27,5	30	30,5	24	26	28	13	13,0 - 19,0	10	20
① CMMGG15	1/2"	10	42	27,5	32	33	24	28	30	CMMGP15PG13	RI, R	13,5	10	40	27,5	32	33	24	28	30	15	15,5 - 21,0	14	20
CMMGG15A	3/4"	12,5	44	34,5	32	33	30	28	30	CMMGP15PG16	RI, R	16	10	40	27,5	32	33	24	28	30	15	15,5 - 21,0	14	20
										CMMGP15PG21	RI, R	21	10	40,5	34,5	32	33	30	28	30	15	15,5 - 21,0	14	20
CMMGG18	1/2"	10	43	27,5	37	37	24	32	34	CMMGP18PG13	RI, R	13,5	10	40	27,5	37	37	24	32	34	18	18,0 - 25,0	14	10
										CMMGP18PG16	RI, R	16	10	40	27,5	37	37	24	32	34	18	18,0 - 25,0	14	10
① CMMGG18A	3/4"	12,5	45	34,5	37	37	30	32	34	CMMGP18PG21	RI, R	21	10	41	34,5	37	37	30	32	34	18	18,0 - 25,0	16,5	10
① CMMGG20	3/4"	12,5	47	34,5	39	42,5	30	35	38	CMMGP20PG21	RI, R	21	10	42,5	34,5	39	42,5	30	35	38	20	20,5 - 27,0	18,5	10
CMMGG20A	1"	12,5	47	43,5	39	42,5	38	35	38		RI, R									20	20,5 - 27,0	18,5	10	
CMMGG25	1"	12,5	49	43,5	45	46,5	38	40	42	CMMGP25PG29	RI, R	29	12,5	48	43,5	45	46,5	38	40	42	25	25,0 - 32,0	23	10
① CMMGG27	1"	12,5	48,5	43,5	45	49,5	38	42	45	CMMGP27PG29	RI, R	29	12,5	48,5	43,5	45	49,5	38	42	45	27	26,5 - 34,0	24	10
① CMMGG33	1 1/4"	18,5	60	49	55	58	45	50	53	CMMGP33PG36	RI, R	36	18,5	60	49	55	58	45	50	53	33	33,0 - 41,0	31	5
① CMMGG35	1 1/4"	18,5	58	49	55	58	45	50	53	CMMGP35PG36	RI, R	36	18,5	58	49	55	58	45	50	53	35	35,0 - 43,0	32,5	5
① CMMGG40	1 1/2"	20	62	56	64	66,5	52	58	61	CMMGP40PG36	RI, R	36	20	62	56	64	66,5	52	58	61	40	40,0 - 48,0	37,5	5
										CMMGP40PG42	RI, R	42	20	62	62	64	66,5	58	58	61	40	40,0 - 48,0	37,5	5
① CMMGG50	2"	24,5	76	72	76	80,5	65	70	74	CMMGP50PG48	RI, R	48	24,5	76	72	76	80,5	65	70	74	50	50,5 - 58,5	48	2
① CMMGG65	2 1/2"	24	90	99	99	99	82	95	95		RI, R									65	65,0 - 74,0	60	1	
① CMMGG75	3"	27	116	106	110	110	95	104	104		RI, R									75	75,0 - 84,0	70	1	
REF. Part N. GAS	F GAS Thread	A mm	L mm	OD1 mm	OD2 mm	OD3 mm	SP1 mm	SP2 mm	SP3 mm	REF. Part N. PG	Approvals	F PG Thread	A mm	L mm	OD1 mm	OD2 mm	OD3 mm	SP1 mm	SP2 mm	SP3 mm	Conduit code NW	int. ext. conduit mm	B useful passage mm	Packing unit

## Raccordi in ottone filetto maschio girevole serie CM continuità metallica Revolving male brass fittings with metallic continuity

- ① A richiesta sono disponibili  
Raccordi con Filettatura GAS Conica ISO 7/1<sub>R</sub>
- ① ISO 7/1<sub>R</sub> Tapered Thread  
available on demand



Per guaine tipo:

L-P-DAR-SVT-T-TP-LPU-DAPU-SVPEVAT

For conduits type:

L-P-DAR-SVT-T-TP-LPU-DAPU-SVPEVAT

QR CODE: istruzioni di montaggio  
QR CODE: assembly instructions



**CMMG - Filetto maschio girevole ISO Metrico - Raccordo in ottone con continuità metallica**

Codice ISO Metrico	Certificazioni	F Filetto ISO Metrico	Codice Guaina NW	∅ guaina mm int. est.	A mm	B Passaggio utile mm	L mm	OD1 mm	OD2 mm	OD3 mm	SP1 mm	SP2 mm	SP3 mm	Confezione standard
CMMG09M12	RI, R	M12x1,5	9	8,5 - 13,0	9	7	40	17	23	24,5	15	20	22	20
CMMG09M16	RI, R	M16x1,5	9	8,5 - 13,0	9	7	40	22	23	24,5	19	20	22	20
CMMG09M20	RI, R	M20x1,5	9	8,5 - 13,0	9	7	40	25	25	24,5	22	22	22	20
CMMG10M12	RI, R	M12x1,5	10	10,0 - 15,0	9	7	40	17	25	26	15	22	24	20
CMMG10M16	RI, R	M16x1,5	10	10,0 - 15,0	9	8,5	40	22	25	26	19	22	24	20
CMMG10M20	RI, R	M20x1,5	10	10,0 - 15,0	9	8,5	40	27,5	25	26	24	22	24	20
CMMG12M16	RI, R	M16x1,5	12	12,0 - 17,0	9	10	40	22	27,5	29	19	24	26	20
CMMG12M20	RI, R	M20x1,5	12	12,0 - 17,0	9	10	40	27,5	27,5	29	24	24	26	20
CMMG13M16	RI, R	M16x1,5	13	13,0 - 19,0	9	10	40	22	30	30,5	19	26	28	20
CMMG13M20	RI, R	M20x1,5	13	13,0 - 19,0	9	10	40	27,5	30	30,5	24	26	28	20
CMMG15M20	RI, R	M20x1,5	15	15,5 - 21,0	9	14	40	27,5	32	33	24	28	30	20
CMMG15M25	RI, R	M25x1,5	15	15,5 - 21,0	10	13,8	41	34,5	32	33	30	28	30	20
CMMG18M20	RI, R	M20x1,5	18	18,0 - 25,0	9	14	41	27,5	37	37	24	32	34	10
CMMG18M25	RI, R	M25x1,5	18	18,0 - 25,0	10	16,5	41	34,5	37	37	30	32	34	10
CMMG20M25	RI, R	M25x1,5	20	20,5 - 27,0	10	18	44	34,5	39	42,5	30	35	38	10
CMMG20M32	RI, R	M32x1,5	20	20,5 - 27,0	13	18	47	43,5	40	42,5	38	35	38	10
CMMG25M32	RI, R	M32x1,5	25	25,0 - 32,0	13	23	48	43,5	45	46,5	38	40	42	10
CMMG27M32	RI, R	M32x1,5	27	26,5 - 34,0	13	24	49	43,5	45	49,5	38	42	45	10
CMMG33M40	RI, R	M40x1,5	33	33,0 - 41,0	18	31	58	52	55	58	45	50	53	5
CMMG35M40	RI, R	M40x1,5	35	35,0 - 43,0	18	33	56	52	55	58	45	50	53	5
CMMG40M50	RI, R	M50x1,5	40	40,0 - 48,0	20	37,5	62	56	64	66,5	52	58	61	5
CMMG50M63	RI, R	M63x1,5	50	50,5 - 58,5	24	48	74	69	76	80,5	64	70	74	2
REF. Part N. ISO Metric	Approvals	F ISO Metric Thread	Conduit code NW	int. ext. ∅ conduit mm	A mm	B useful passage mm	L mm	OD1 mm	OD2 mm	OD3 mm	SP1 mm	SP2 mm	SP3 mm	Packing unit

**CMMG - Revolving male ISO METRIC thread - Brass fittings with metallic continuity**