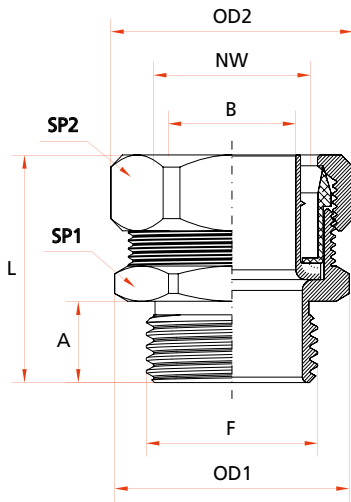




EXCMMF

Raccordi in ottone filetto maschio serie CM continuità metallica
Male thread brass fittings with metallic continuity



I raccordi sono completi della guarnizione GAM
 The fittings are equipped with GAM gasket

cRUUS File E - 124066 140F/60°C

Certificazioni Approvals

EN 61386 - 22
 CE
 RINA
 UL1696
 RU file E - 124066 - CURUS
 IMQ

EN 61386 - 22
 CE
 RINA
 UL1696
 RU file E - 124066 - CURUS
 IMQ

EXCMMF - Filetto maschio GAS e PG - Raccordo in ottone con continuità metallica

Codice GAS	F Filetto GAS	A mm	L mm	Codice PG	F Filetto PG	A mm	L mm	Certificazioni	Codice Guaina NW	Ø guaina mm int. est.	B Passaggio utile mm	OD1 mm	OD2 mm	SP1 mm	SP2 mm	Confez. standard
EXCMMFG009	1/4"	10	31	EXCMMFP09PG09	9	10	31		9	8,5 - 13,0	7	23	24,5	20	22	20
EXCMMFG009A	3/8"	10	31	EXCMMFP09PG11	11	10	31		9	8,5 - 13,0	7	23	24,5	20	22	20
EXCMMFG009B	1/2"	10	31,5	EXCMMFP09PG13	13,5	10	31,5		9	8,5 - 13,0	7	25	24,5	22	22	20
EXCMMFG010	1/4"	10	32	EXCMMFP10PG07	7	10	32		10	10,0 - 15,0	8,5	25	26	22	24	20
EXCMMFG010A	3/8"	10	32	EXCMMFP10PG09	9	10	32		10	10,0 - 15,0	8,5	25	26	22	24	20
EXCMMFG010B	1/2"	10	32	EXCMMFP10PG11	11	10	32		10	10,0 - 15,0	8,5	25	26	22	24	20
				EXCMMFP10PG13	13,5	10	32		10	10,0 - 15,0	8,5	25	26	22	24	20
EXCMMFG012	3/8"	10	33	EXCMMFP12PG11	11	10	33		12	12,0 - 17,0	10,5	27,5	29	24	26	20
EXCMMFG012A	1/2"	10	33	EXCMMFP12PG13	13,5	10	33		12	12,0 - 17,0	10,5	27,5	29	24	26	20
				EXCMMFP12PG16	16	10	33		12	12,0 - 17,0	10,5	27,5	29	24	26	20
EXCMMFG013	3/8"	10	33	EXCMMFP13PG11	11	10	33		13	13,0 - 19,0	11,5	30	30,5	26	28	20
EXCMMFG013A	1/2"	10	33,5	EXCMMFP13PG13	13,5	10	33,5		13	13,0 - 19,0	11,5	30	30,5	26	28	20
				EXCMMFP13PG16	16	10	33,5		13	13,0 - 19,0	11,5	30	30,5	26	28	20
① EXCMMFG015	1/2"	11	34,5	EXCMMFP15PG13	13,5	10	33,5		15	15,5 - 21,0	13,8	32	33	28	30	20
EXCMMFG015A	3/4"	11	33,5	EXCMMFP15PG16	16	10	33,5		15	15,5 - 21,0	13,8	32	33	28	30	20
① EXCMMFG018	1/2"	11	34	EXCMMFP18PG16	16	11	34		18	18,0 - 25,0	16,5	37	37	32	34	10
EXCMMFG018A	3/4"	11	34	EXCMMFP18PG21	21	11	34		18	18,0 - 25,0	16,5	37	37	32	34	10
① EXCMMFG020	3/4"	13	38	EXCMMFP20PG21	21	12	36,5		20	20,5 - 27,0	18,5	39	42,5	35	38	10
EXCMMFG025	1"	15	42	EXCMMFP25PG29	29	12	39		25	25,0 - 32,0	23	44,5	46,5	40	42	10
① EXCMMFG027	1"	15	42	EXCMMFP27PG29	29	12	40		27	26,5 - 34,0	25	47,5	49,5	42	45	10
① EXCMMFG033	1" 1/4	15	47	EXCMMFP33PG36	36	12	44		33	33,0 - 41,0	31	55	58	50	53	5
① EXCMMFG035	1" 1/4	15	46	EXCMMFP35PG36	36	12	42,5		35	35,0 - 43,0	33	55	58	50	53	5
① EXCMMFG040	1" 1/2	18	50	EXCMMFP40PG36	36	17	49,5		40	40,0 - 48,0	37,5	63	66,5	58	61	5
				EXCMMFP40PG42	42	13	46,5		40	40,0 - 48,0	37,5	63	66,5	58	61	5
① EXCMMFG050	2"	18	57	EXCMMFP50PG48	48	18	57		50	50,5 - 58,5	48	76	80,5	70	74	2
① EXCMMFG065	2" 1/2	24	83						65	65,0 - 74,0	61	99	99	95	95	1
① EXCMMFG075	3"	24	89						75	75,0 - 84,0	71	110	110	104	104	1
REF. Part N. GAS	F GAS Thread	A mm	L mm	REF. Part N. PG	F PG Thread	A mm	L mm	Approvals	Conduit code NW	int. ext. Ø conduit mm	B useful passage mm	OD1 mm	OD2 mm	SP1 mm	SP2 mm	Packing unit

Raccordi in ottone filetto maschio serie CM continuità metallica
Male thread brass fittings with metallic continuity



- ① A richiesta sono disponibili
Raccordi con Filettatura GAS Conica ISO 7/1_R
- ① ISO 7/1_R Tapered Thread
available on demand

Per guaine tipo:
L-P-DAR-SVT-T-TP-LPU-DAPU-SVPEVAT

For conduits type:
L-P-DAR-SVT-T-TP-LPU-DAPU-SVPEVAT

QR CODE: istruzioni di montaggio
QR CODE: assembly instructions



EXCMMF - Filetto maschio ISO Metrico - Raccordo in ottone con continuità metallica

Codice ISO metrico	Certificazioni	F Filetto ISO Metrico	Codice Guaina NW	Ø guaina mm int. est.	A mm	B Passaggio utile mm	L mm	OD1 mm	OD2 mm	SP1 mm	SP2 mm	Confez. standard
EXCMMF09M12	RIFA	M12x1,5	9	8,5 - 13,0	10	7	31	23	24,5	20	22	20
EXCMMF09M16	RIFA	M16x1,5	9	8,5 - 13,0	10	7	31,5	23	24,5	20	22	20
EXCMMF09M20	RIFA	M20x1,5	9	8,5 - 13,0	10	7	31,5	25	24,5	22	22	20
EXCMMF10M12	RIFA	M12x1,5	10	10,0 - 15,0	10	8,5	33	25	26	22	24	20
EXCMMF10M16	RIFA	M16x1,5	10	10,0 - 15,0	10	8,5	33	25	26	22	24	20
EXCMMF10M20	RIFA	M20x1,5	10	10,0 - 15,0	10	8,5	32,5	25	26	22	24	20
EXCMMF12M16	RIFA CULUS	M16x1,5	12	12,0 - 17,0	10	10,5	33	27,5	29	24	26	20
EXCMMF12M20	RIFA CULUS	M20x1,5	12	12,0 - 17,0	10	10,5	33,5	27,5	29	24	26	20
EXCMMF13M16	RIFA CULUS	M16x1,5	13	13,0 - 19,0	10	11,5	33,5	30	30,5	26	28	20
EXCMMF13M20	RIFA CULUS	M20x1,5	13	13,0 - 19,0	10	11,5	34	30	30,5	26	28	20
EXCMMF15M20	RIFA CULUS	M20x1,5	15	15,5 - 21,0	10	13,8	34,5	32	33	28	30	20
EXCMMF15M25	RIFA CULUS	M25x1,5	15	15,5 - 21,0	11	13,8	35	32	33	28	30	20
EXCMMF18M20	RIFA CULUS	M20x1,5	18	18,0 - 25,0	11	16,5	34,5	37	37	32	34	10
EXCMMF18M25	RIFA CULUS	M25x1,5	18	18,0 - 25,0	11	16,5	34,5	37	37	32	34	10
EXCMMF20M25	RIFA CULUS	M25x1,5	20	20,5 - 27,0	12	18,5	37	39	42,5	35	38	10
EXCMMF25M32	RIFA CULUS	M32x1,5	25	25,0 - 32,0	12	23	39,5	44,5	46,5	40	42	10
EXCMMF27M32	RIFA CULUS	M32x1,5	27	26,5 - 34,0	12	25	39,5	47,5	49,5	42	45	10
EXCMMF33M40	RIFA CULUS	M40x1,5	33	33,0 - 41,0	12	31	44	55	58	50	53	5
EXCMMF35M40	RIFA CULUS	M40x1,5	35	35,0 - 43,0	12	33	43	55	58	50	53	5
EXCMMF40M50	RIFA CULUS	M50x1,5	40	40,0 - 48,0	13	37,5	46,5	63	66,5	58	61	5
EXCMMF50M63	RIFA CULUS	M63x1,5	50	50,5 - 58,5	16	48	55	76	80,5	70	74	2
REF. Part N. ISO Metric	Approvals	F ISO Metric Thread	Conduit code NW	int. ext. Ø conduit mm	A mm	B useful passage mm	L mm	OD1 mm	OD2 mm	SP1 mm	SP2 mm	Packing unit

EXCMMF - Male ISO Metric thread - Brass fittings with metallic continuity