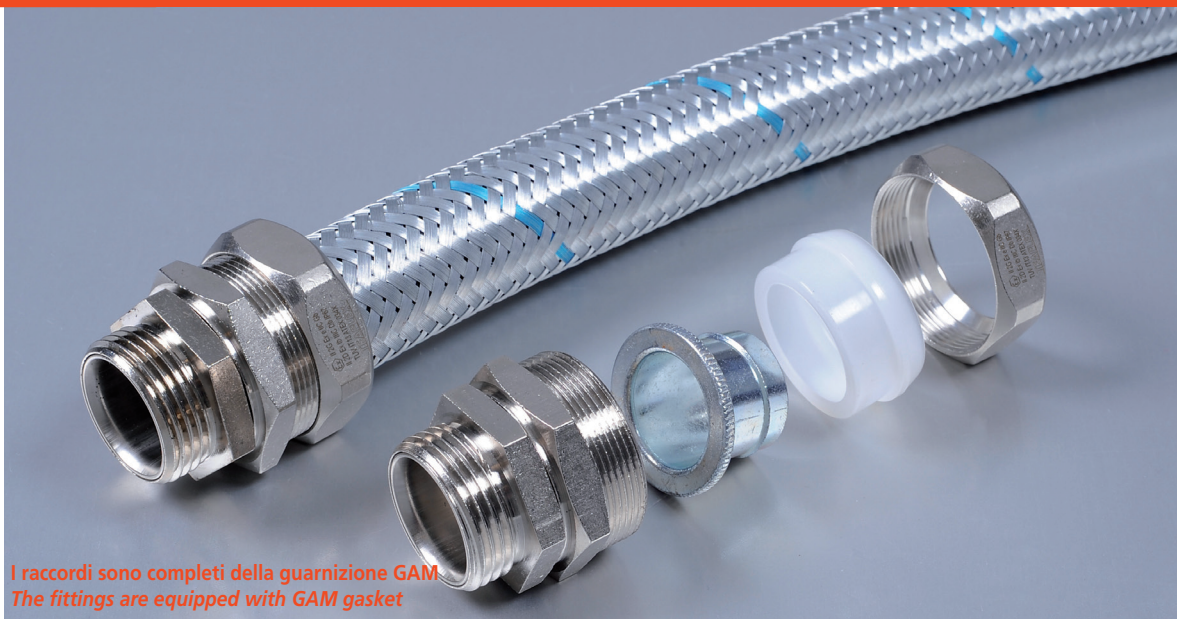
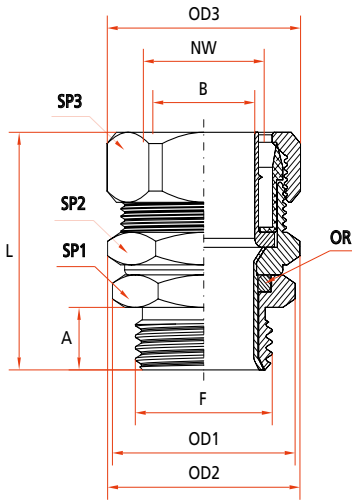




# EXCMMG



I raccordi sono completi della guarnizione GAM  
The fittings are equipped with GAM gasket

## Certificazioni Approvals

EN 61386 - 22  
CE  
RINA  
IMQ

EN 61386 - 22  
CE  
RINA  
IMQ

### EXCMMG - Filetto maschio girevole GAS e PG - Raccordo in ottone con continuità metallica

Codice GAS	F Filetto GAS	A mm	L mm	OD1 mm	OD2 mm	OD3 mm	SP1 mm	SP2 mm	SP3 mm	Codice PG	Certificazioni	F Filetto PG	A mm	L mm	OD1 mm	OD2 mm	OD3 mm	SP1 mm	SP2 mm	SP3 mm	Codice Guaina NW	Ø guaina mm int. est.	B Passaggio utile mm	Confez. standard
EXCMMGG09	1/4"	9	40	17	23	24,5	15	20	22	EXCMMGP09PG07	RI, R	7	9	40	17	23	24,5	15	20	22	9	8,5 - 13,0	7	20
EXCMMGG09A	3/8"	9	40	21,5	23	24,5	19	20	22	EXCMMGP09PG09	RI, R	9	7	37,5	19,5	23	24,5	17	20	22	9	8,5 - 13,0	7	20
EXCMMGG09B	1/2"	9	40	27,5	23	24,5	24	20	22	EXCMMGP09PG11	RI, R	11	7	36	23	23	24,5	20	20	22	9	8,5 - 13,0	7	20
										EXCMMGP09PG13	RI, R	13,5	7	36	25	25	24,5	22	22	22	9	8,5 - 13,0	7	20
EXCMMGG10	1/4"	9	40	17	25	26	15	22	24	EXCMMGP10PG07	RI, R	7	9	39,5	17	25	26	15	22	24	10	10,0 - 15,0	7	20
										EXCMMGP10PG09	RI, R	9	7	37,5	19,5	25	26	17	22	24	10	10,0 - 15,0	7	20
EXCMMGG10A	3/8"	9	40	21,5	25	26	19	22	24	EXCMMGP10PG11	RI, R	11	7	37,5	23	25	26	20	22	24	10	10,0 - 15,0	8,5	20
EXCMMGG10B	1/2"	9	40	27,5	25	26	24	22	24	EXCMMGP10PG13	RI, R	13,5	7	37	25	25	26	22	22	24	10	10,0 - 15,0	8,5	20
										EXCMMGP10PG16	RI, R	16	7	37	27,5	25	26	24	22	24	10	10,0 - 15,0	8,5	20
EXCMMGG12	3/8"	9	40	21,5	27,5	29	19	24	26	EXCMMGP12PG11	RI, R	11	7	37,5	23	27,5	29	20	24	26	12	12,0 - 17,0	10	20
EXCMMGG12A	1/2"	9	40	27,5	27,5	29	24	24	26	EXCMMGP12PG13	RI, R	13,5	7	37	25	27,5	29	22	24	26	12	12,0 - 17,0	10	20
										EXCMMGP12PG16	RI, R	16	7	37,5	27,5	27,5	29	24	24	26	12	12,0 - 17,0	10	20
EXCMMGG13	3/8"	9	40,5	21,5	30	30,5	19	26	28	EXCMMGP13PG11	RI, R	11	7	38	23	30	30,5	20	26	28	13	13,0 - 19,0	10	20
EXCMMGG13A	1/2"	9	40,5	27,5	30	30,5	24	26	28	EXCMMGP13PG13	RI, R	13,5	7	37,5	25	30	30,5	22	26	28	13	13,0 - 19,0	10	20
										EXCMMGP13PG16	RI, R	16	7	37,5	27,5	30	30,5	24	26	28	13	13,0 - 19,0	10	20
① EXCMMGG15	1/2"	10	42	27,5	32	33	24	28	30	EXCMMGP15PG13	RI, R	13,5	10	40	27,5	32	33	24	28	30	15	15,5 - 21,0	14	20
EXCMMGG15A	3/4"	12,5	44	34,5	32	33	30	28	30	EXCMMGP15PG16	RI, R	16	10	40	27,5	32	33	24	28	30	15	15,5 - 21,0	14	20
										EXCMMGP15PG21	RI, R	21	10	40,5	34,5	32	33	30	28	30	15	15,5 - 21,0	14	20
EXCMMGG18	1/2"	10	43	27,5	37	37	24	32	34	EXCMMGP18PG13	RI, R	13,5	10	40	27,5	37	37	24	32	34	18	18,0 - 25,0	14	10
										EXCMMGP18PG16	RI, R	16	10	40	27,5	37	37	24	32	34	18	18,0 - 25,0	14	10
① EXCMMGG18A	3/4"	12,5	45	34,5	37	37	30	32	34	EXCMMGP18PG21	RI, R	21	10	41	34,5	37	37	30	32	34	18	18,0 - 25,0	16,5	10
① EXCMMGG20	3/4"	12,5	47	34,5	39	42,5	30	35	38	EXCMMGP20PG21	RI, R	21	10	42,5	34,5	39	42,5	30	35	38	20	20,5 - 27,0	18,5	10
EXCMMGG20A	1"	12,5	47	43,5	39	42,5	38	35	38		RI, R										20	20,5 - 27,0	18,5	10
EXCMMGG25	1"	12,5	49	43,5	45	46,5	38	40	42	EXCMMGP25PG29	RI, R	29	12,5	48	43,5	45	46,5	38	40	42	25	25,0 - 32,0	23	10
① EXCMMGG27	1"	12,5	48,5	43,5	45	49,5	38	42	45	EXCMMGP27PG29	RI, R	29	12,5	48,5	43,5	45	49,5	38	42	45	27	26,5 - 34,0	24	10
① EXCMMGG33	1 1/4"	18,5	60	49	55	58	45	50	53	EXCMMGP33PG36	RI, R	36	18,5	60	49	55	58	45	50	53	33	33,0 - 41,0	31	5
① EXCMMGG35	1 1/4"	18,5	58	49	55	58	45	50	53	EXCMMGP35PG36	RI, R	36	18,5	58	49	55	58	45	50	53	35	35,0 - 43,0	32,5	5
① EXCMMGG40	1 1/2"	20	62	56	64	66,5	52	58	61	EXCMMGP40PG36	RI, R	36	20	62	56	64	66,5	52	58	61	40	40,0 - 48,0	37,5	5
										EXCMMGP40PG42	RI, R	42	20	62	62	64	66,5	58	58	61	40	40,0 - 48,0	37,5	5
① EXCMMGG50	2"	24,5	76	72	76	80,5	65	70	74	EXCMMGP50PG48	RI, R	48	24,5	76	72	76	80,5	65	70	74	50	50,5 - 58,5	48	2
① EXCMMGG65	2 1/2"	24	90	99	99	99	82	95	95		RI, R										65	65,0 - 74,0	60	1
① EXCMMGG75	3"	27	116	106	110	110	95	104	104		RI, R										75	75,0 - 84,0	70	1
REF. Part N. GAS	F GAS Thread	A mm	L mm	OD1 mm	OD2 mm	OD3 mm	SP1 mm	SP2 mm	SP3 mm	REF. Part N. PG	Approvals	F PG Thread	A mm	L mm	OD1 mm	OD2 mm	OD3 mm	SP1 mm	SP2 mm	SP3 mm	Conduit code NW	int. ext. conduit mm	B useful passage mm	Packing unit

EXCMMG - Revolving male GAS and PG thread - Brass fittings with metallic continuity

## Raccordi in ottone filetto maschio girevole serie CM continuità metallica Revolving male brass fittings with metallic continuity

- ① A richiesta sono disponibili  
Raccordi con Filettatura GAS Conica ISO 7/1<sub>R</sub>
- ① ISO 7/1<sub>R</sub> Tapered Thread  
available on demand



Per guaine tipo:

L-P-DAR-SVT-T-TP-LPU-DAPU-SVPEVAT

For conduits type:

L-P-DAR-SVT-T-TP-LPU-DAPU-SVPEVAT

QR CODE: istruzioni di montaggio  
QR CODE: assembly instructions



### EXCMMG - Filetto maschio girevole ISO Metrico - Raccordo in ottone con continuità metallica

Codice ISO Metrico	Certificazioni	F Filetto ISO Metrico	Codice Guaina NW	∅ guaina mm int. est.	A mm	B Passaggio utile mm	L mm	OD1 mm	OD2 mm	OD3 mm	SP1 mm	SP2 mm	SP3 mm	Confezione standard
EXCMMG09M12	RIR	M12x1,5	9	8,5 - 13,0	9	7	40	17	23	24,5	15	20	22	20
EXCMMG09M16	RIR	M16x1,5	9	8,5 - 13,0	9	7	40	22	23	24,5	19	20	22	20
EXCMMG09M20	RIR	M20x1,5	9	8,5 - 13,0	9	7	40	25	25	24,5	22	22	22	20
EXCMMG10M12	RIR	M12x1,5	10	10,0 - 15,0	9	7	40	17	25	26	15	22	24	20
EXCMMG10M16	RIR	M16x1,5	10	10,0 - 15,0	9	8,5	40	22	25	26	19	22	24	20
EXCMMG10M20	RIR	M20x1,5	10	10,0 - 15,0	9	8,5	40	27,5	25	26	24	22	24	20
EXCMMG12M16	RIR	M16x1,5	12	12,0 - 17,0	9	10	40	22	27,5	29	19	24	26	20
EXCMMG12M20	RIR	M20x1,5	12	12,0 - 17,0	9	10	40	27,5	27,5	29	24	24	26	20
EXCMMG13M16	RIR	M16x1,5	13	13,0 - 19,0	9	10	40	22	30	30,5	19	26	28	20
EXCMMG13M20	RIR	M20x1,5	13	13,0 - 19,0	9	10	40	27,5	30	30,5	24	26	28	20
EXCMMG15M20	RIR	M20x1,5	15	15,5 - 21,0	9	14	40	27,5	32	33	24	28	30	20
EXCMMG15M25	RIR	M25x1,5	15	15,5 - 21,0	10	13,8	41	34,5	32	33	30	28	30	20
EXCMMG18M20	RIR	M20x1,5	18	18,0 - 25,0	9	14	41	27,5	37	37	24	32	34	10
EXCMMG18M25	RIR	M25x1,5	18	18,0 - 25,0	10	16,5	41	34,5	37	37	30	32	34	10
EXCMMG20M25	RIR	M25x1,5	20	20,5 - 27,0	10	18	44	34,5	39	42,5	30	35	38	10
EXCMMG20M32	RIR	M32x1,5	20	20,5 - 27,0	13	18	47	43,5	40	42,5	38	35	38	10
EXCMMG25M32	RIR	M32x1,5	25	25,0 - 32,0	13	23	48	43,5	45	46,5	38	40	42	10
EXCMMG27M32	RIR	M32x1,5	27	26,5 - 34,0	13	24	49	43,5	45	49,5	38	42	45	10
EXCMMG33M40	RIR	M40x1,5	33	33,0 - 41,0	18	31	58	52	55	58	45	50	53	5
EXCMMG35M40	RIR	M40x1,5	35	35,0 - 43,0	18	33	56	52	55	58	45	50	53	5
EXCMMG40M50	RIR	M50x1,5	40	40,0 - 48,0	20	37,5	62	56	64	66,5	52	58	61	5
EXCMMG50M63	RIR	M63x1,5	50	50,5 - 58,5	24	48	74	69	76	80,5	64	70	74	2
REF. Part N. ISO Metric	Approvals	F ISO Metric Thread	Conduit code NW	int. ext. ∅ conduit mm	A mm	B useful passage mm	L mm	OD1 mm	OD2 mm	OD3 mm	SP1 mm	SP2 mm	SP3 mm	Packing unit

### EXCMMG - Revolving male ISO METRIC thread - Brass fittings with metallic continuity